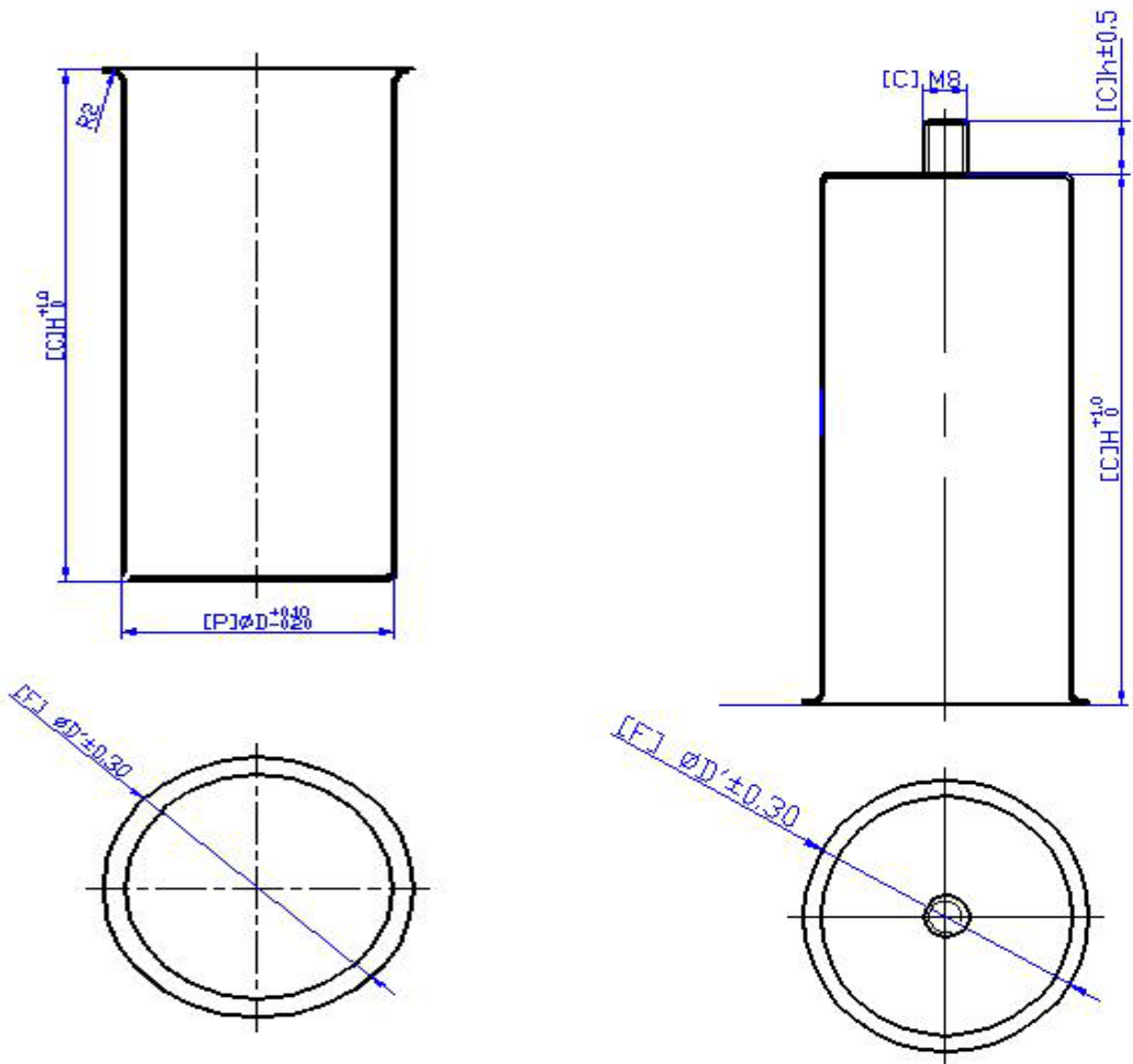




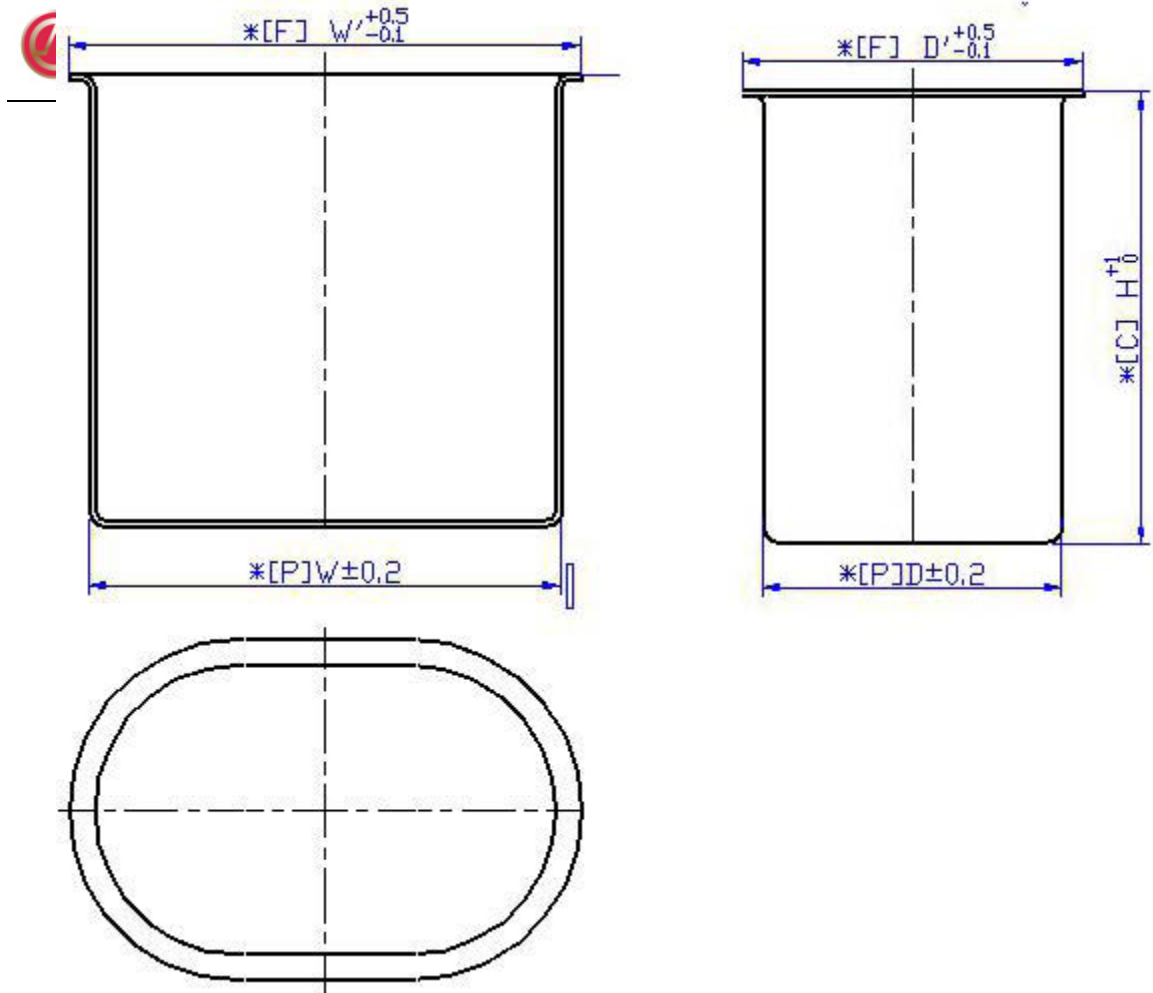
The metal shell for AC capacitor, electronic power capacitor

■ Outline drawings

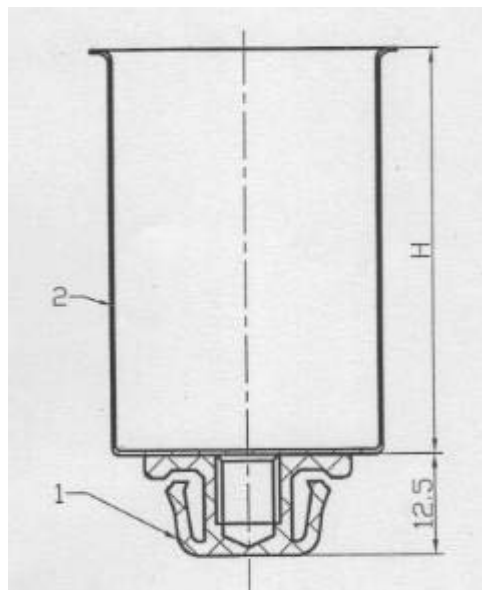


Circular Al shell

Al shell with bolt in bottom



Elliptical Al shell



Al shell with M clasp



Characteristics

- Applicable for metal can of AC Capacitor and Electronic Power Capacitor.
 - Material: 99.7% pure aluminum
 - Good plasticity
 - Good antioxidation
 - The content of hazardous substances is lower than ROHS/REACH, the EU standards, etc
 - Technical requirements
 - There is no pit, burr, spots, cracks, or mechanical damage on the surface of Al can, and metal color is even, with clean surface, no stain.
-
- No deformation, oxidation and corrosion.
 - Plasticity : Aluminum can should meet the rolling requirements of the rolling machine.
 - Torque on bolt should be higher than the national standard.
 - Dimension (can be customized as customers' requirement)



■ Circular Al shell

No.	D (mm)	H (mm)
1	30	50~60
2	35	50~65
3	40	50~125
4	45	50~135
5	50	55~145
6	55	60~150
7	60	65~160
8	63.5	65~160
9	65	70~160

■ Al shell with bolt in bottom

No.	D (mm)	H (mm)	Diameter of bolt(mm)	Height of bolt(mm)
1	30	50~60	M8	9~12
2	35	50~65	M8	9~12
3	40	50~125	M8	9~12
4	45	50~135	M8	9~12
5	50	55~145	M8	9~12
6	55	60~150	M8	9~12
7	60	65~160	M8	9~12
8	63.5	65~160	M8、M12	9~15
9	65	70~160	M8	9~12
10	76	140~220	M12	16
11	86	140~255	M12	16
12	96	140~255	M12	16
13	106	140~255	M15	16
14	116	140~255	M15	16
15	136	140~255	M15	16



■ Elliptical Al shell

No.	W (mm)	W' (mm)	D(mm)	D' (mm)	H (mm)
1	51.5	56	31.5	36	55~120
2	52.3	56.8	30.7	35.2	55~128
3	71	77	45	51	53~138
4	90	96	47.5	53.5	71~146

■ Al shell with M clasp

No.	D (mm)	H (mm)	Height of M clasp
1	30	50~60	12.5
2	35	50~65	12.5
3	40	50~125	12.5