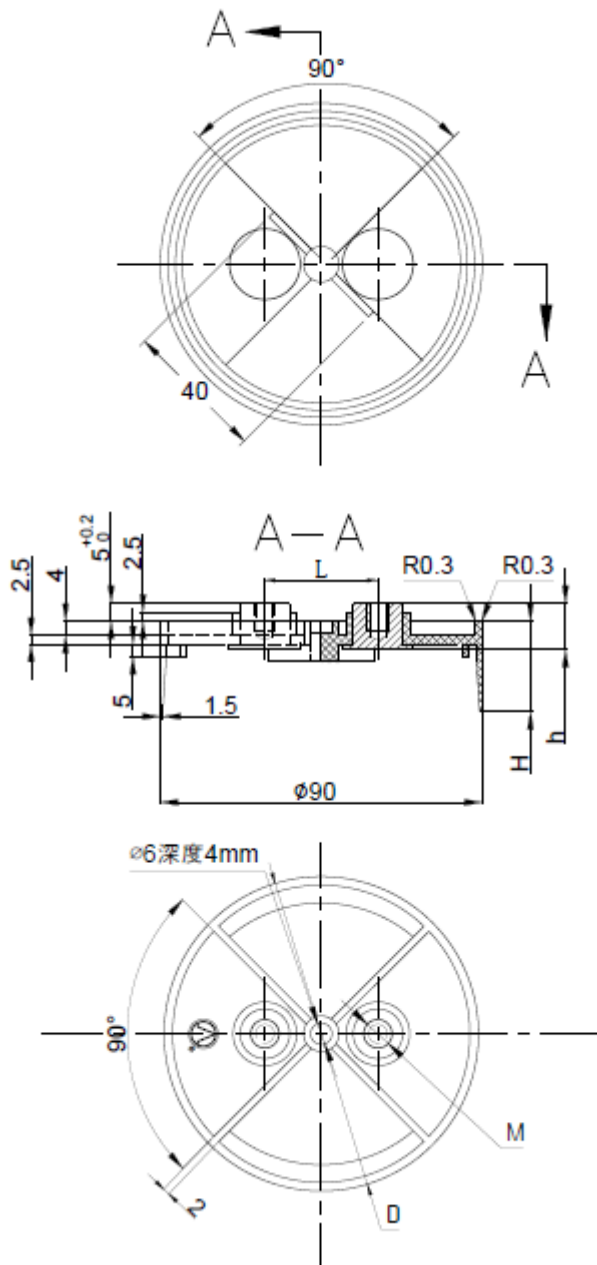




PPS or ABS/PC Cover for electronic power capacitors and some special types of capacitors

Outline Drawing



■ Features

- Sealing and electrode carrier suitable for large diameter aluminum shell capacitor
- Stable performance
- High temperature resistance
- The content of hazardous substance is lower than the EU standards, such as ROHS\REACH



■ Specifications

Material requirements	Electrode is H62 copper. Others are polyphenylene sulfide.
Material Pressure resistance	20KVC/mm
Appearance requirements	Smooth, no burr; bolt is smooth and clean, without burr or scratch; electrode is symmetric, with even nickle coating on the surface
Flame retardant	Meet UL94V-0
Environmental protection	Meet ROHS and REACH

■ Dimensions(mm)

The mold can be developed according to customer needs.

Code	H	M	H	h
JX/TFJC-SGB-06	120	6	35	50
JX/TFJC-SGB-07	90	6	35	32
JX/TFJC-SGB-08	79	6	35	32
JX/TFJC-SGB-11	140	6	35	50
JX/TFJC-SGB-14	90	8	35	32
JX/TFJC-SGB-19	86	8	40	31.7
JX/TFJC-SGB-22	116	6	40	50
JX/TFJC-SGB-23	86	8	40	45
JX/TFJC-SGB-31	86	8	40	45