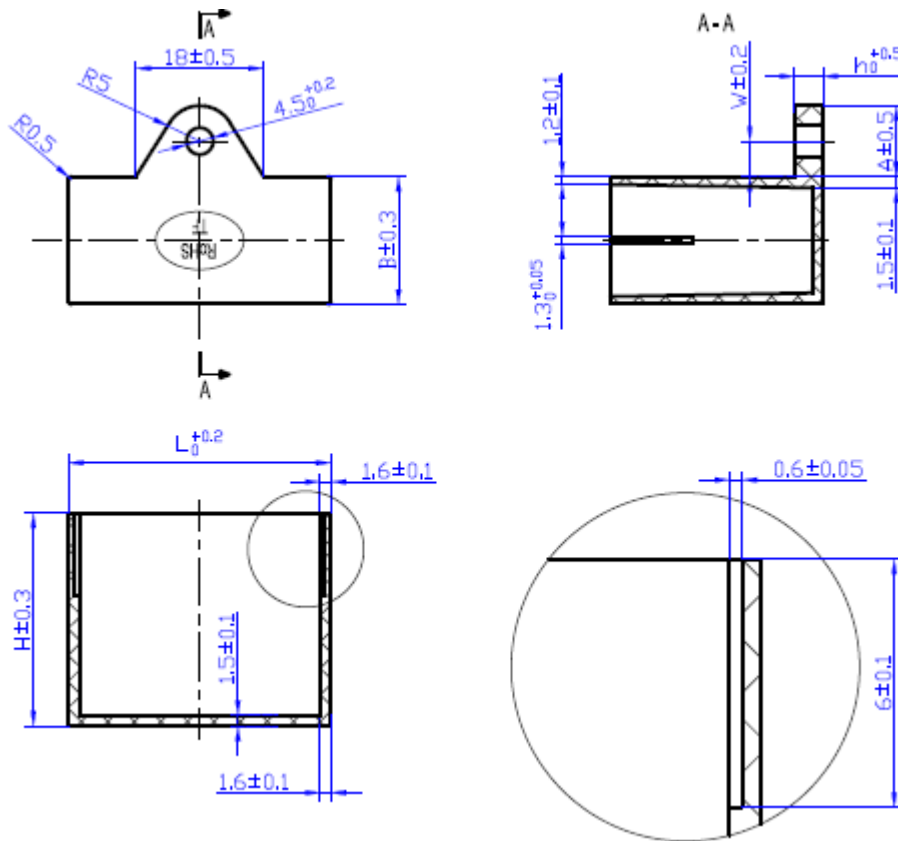




ABS, PBT Square plastic case for AC motor running capacitor, electronic power capacitor

■ Outline Drawing



■ Features

- Suitable for infusion metallized film capacitor
- Stable performance
- High temperature resistance
- Material: PC, PBT, PCABS
- The content of hazardous substance is lower than the EU standards, such as ROHS\REACH

■ Specifications

Appearance requirements	Smooth and bright surface, even color and luster, without defect such as scratch, pore-free and etc.
Temperature resistance	90° /2h (taking PCABS as an example)
Font requirements	Bottom mark in Arial is represented by characters cut 0.2mm in intaglio
Voltage resistance	2500VAC, 10S, no breakdown
Flame retardant	Meeting GB4609-84 FV-0 or UL94-V0

■ Dimensions(mm)



The mold can be developed according to customer needs.

Code	L	B	H	A	W	h
ATXa8.645.492	37.5	18	29	10	5	4.5
ATXa8.645.493	37.5	19	30.5	10	5	4.5
ATXa8.645.494	37.5	22	33.5	10	5	4.5
ATXa8.645.495	47.5	20	34	10	5	5
ATXa8.645.496	47.5	22	36	10	5	5
ATXa8.645.497	47.5	25	39.5	10	5	5
ATXa8.645.498	57.5	26	38	10	5	5